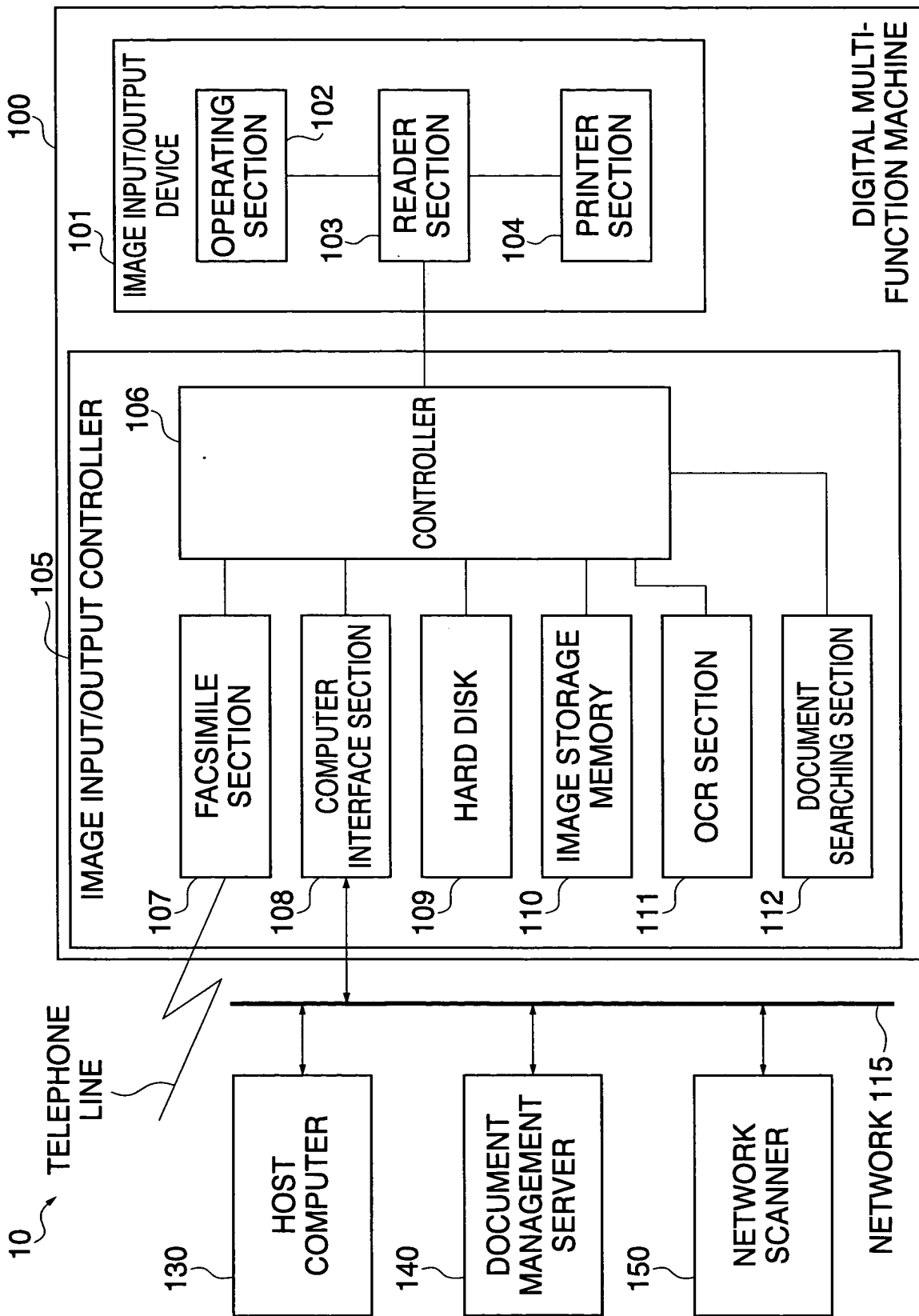
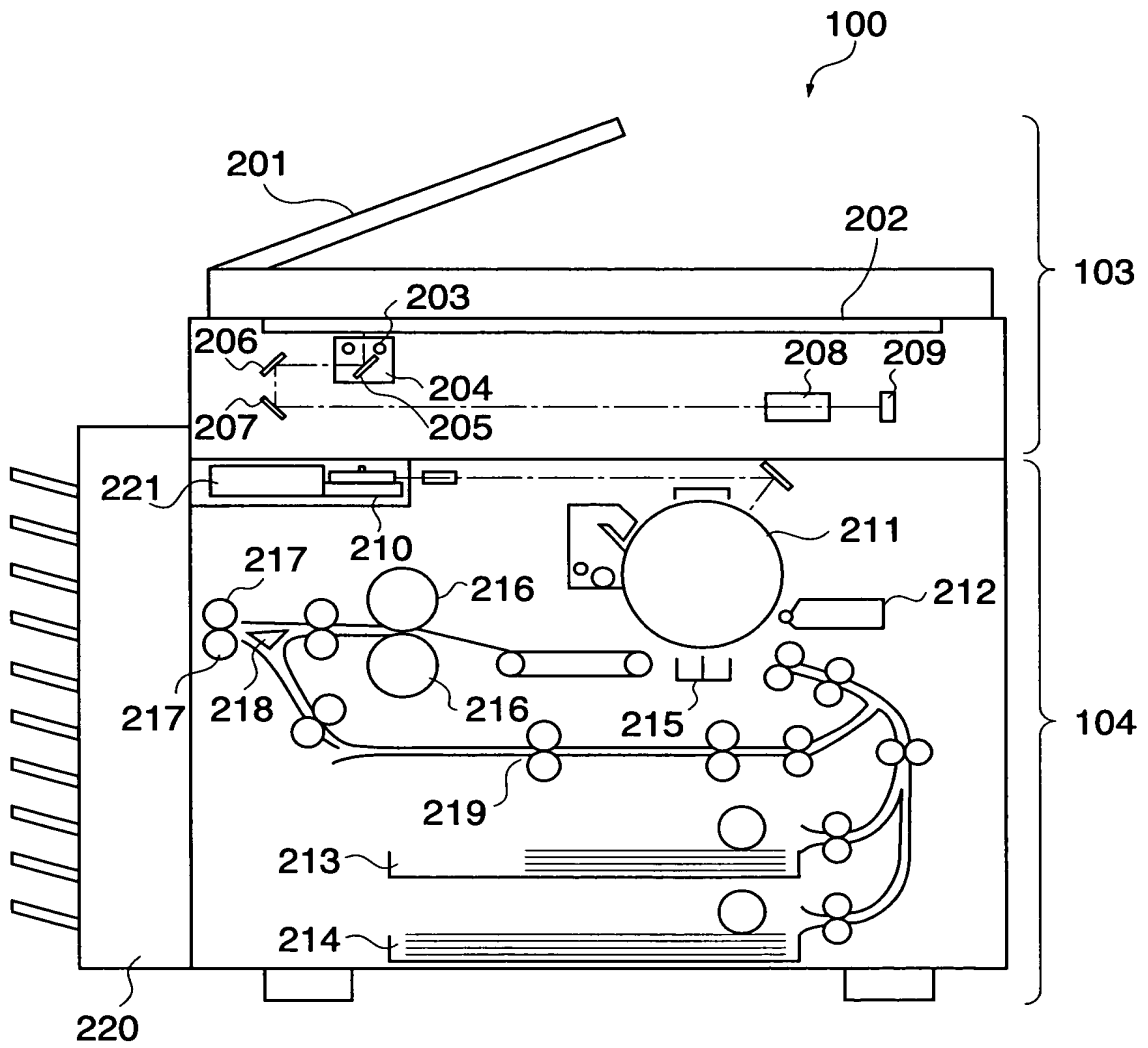


FIG. 1



**FIG. 2**



**FIG. 3**

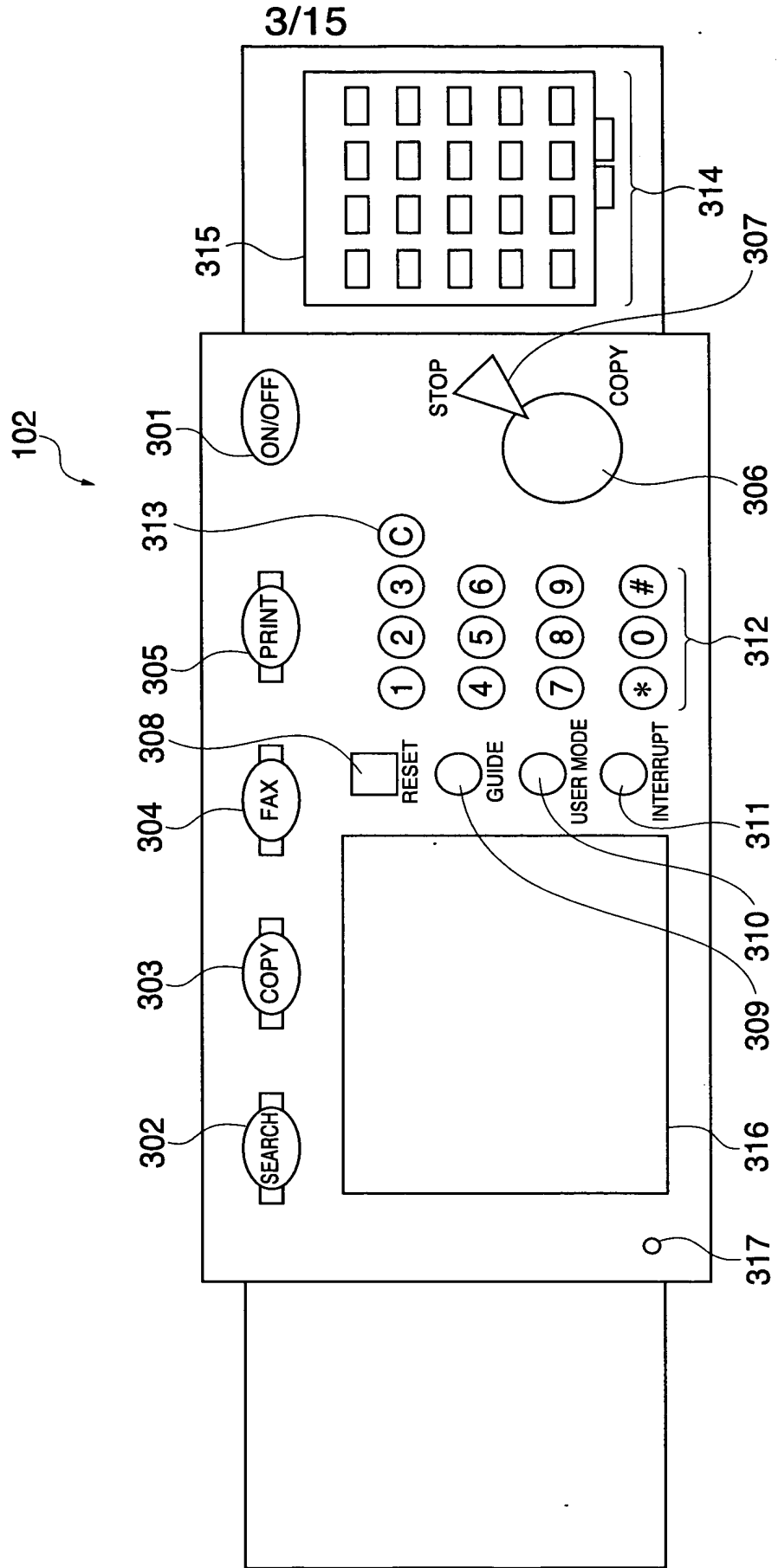
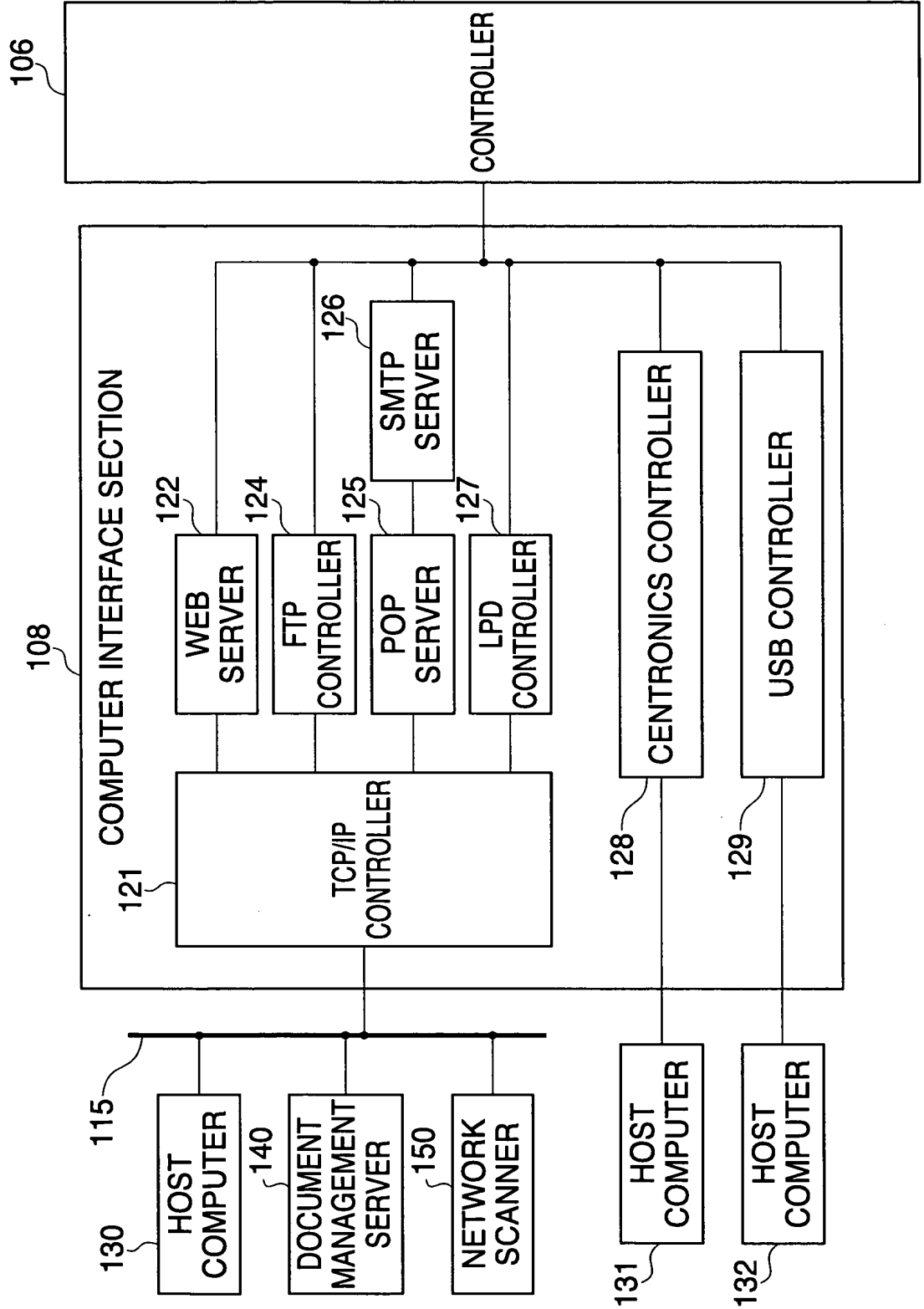


FIG. 4



5/15

FIG. 5A

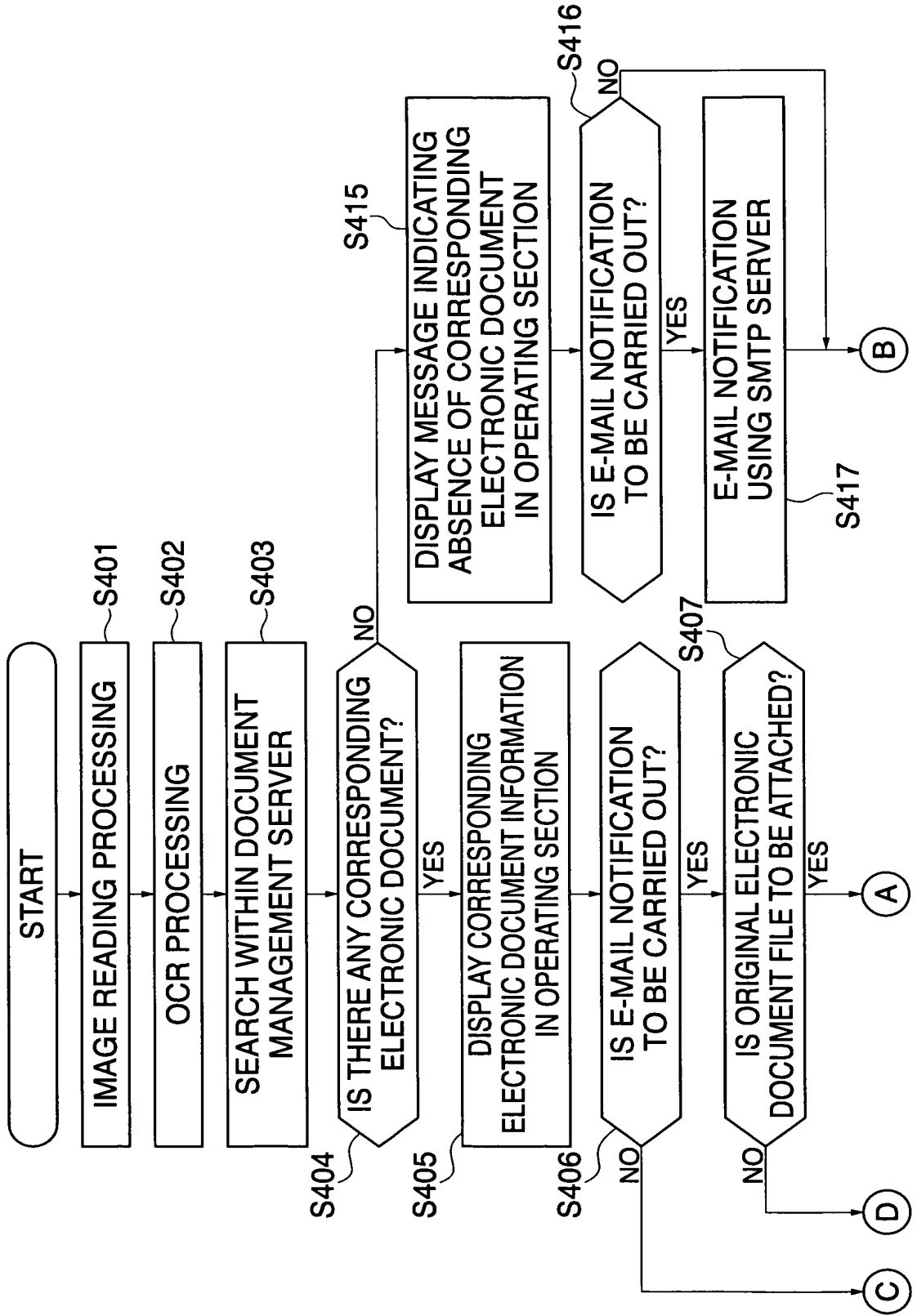


FIG. 5B

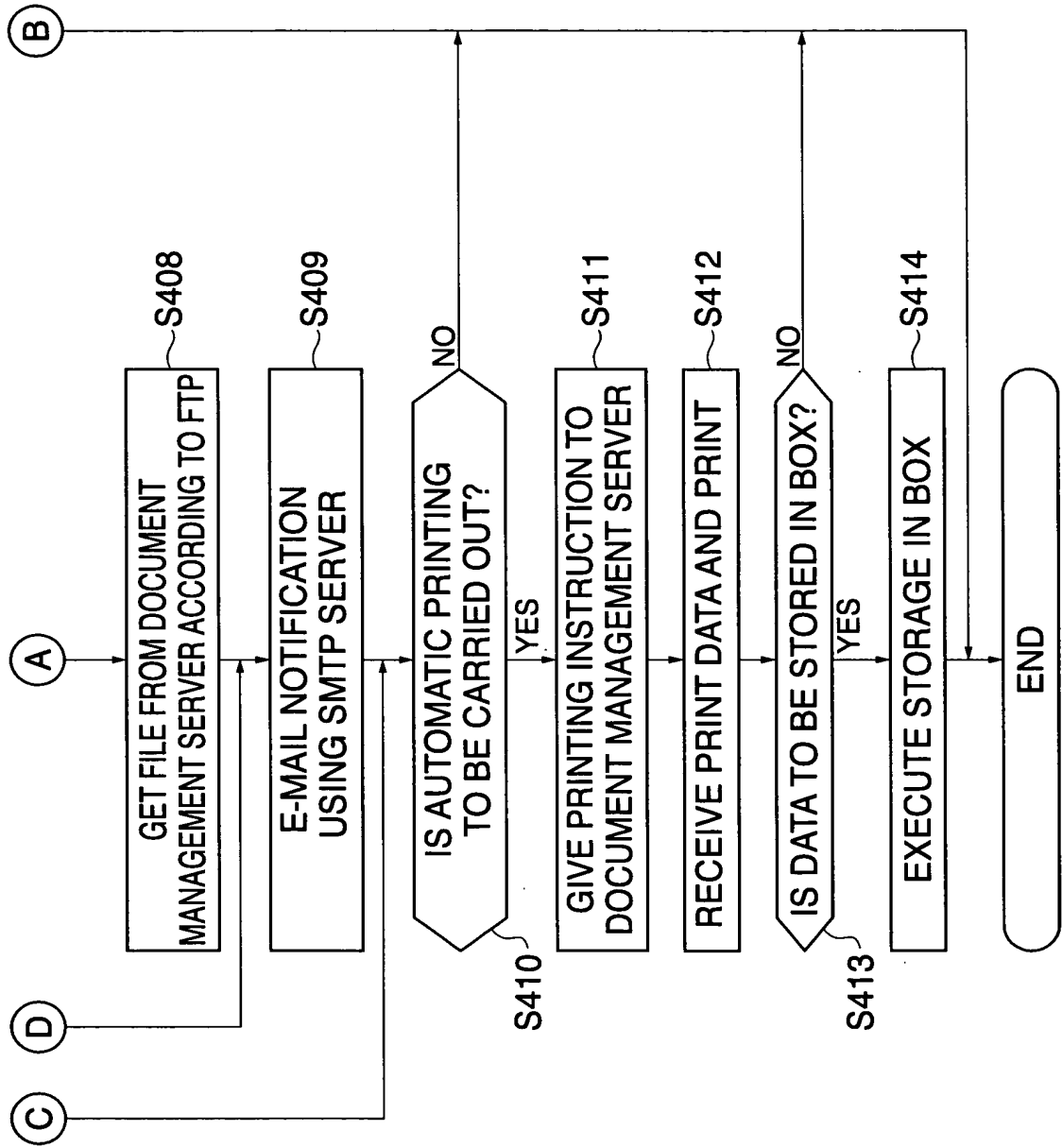
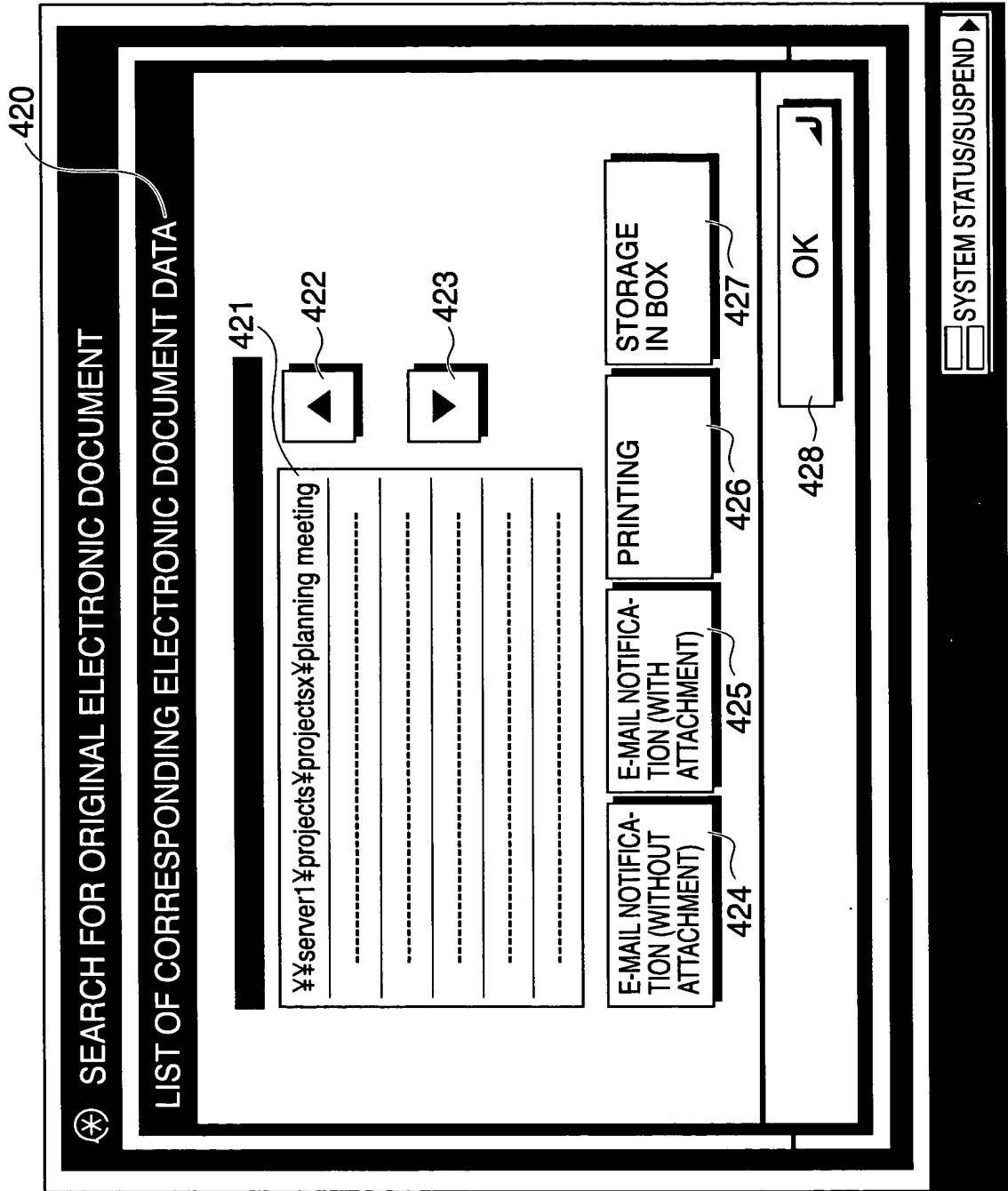
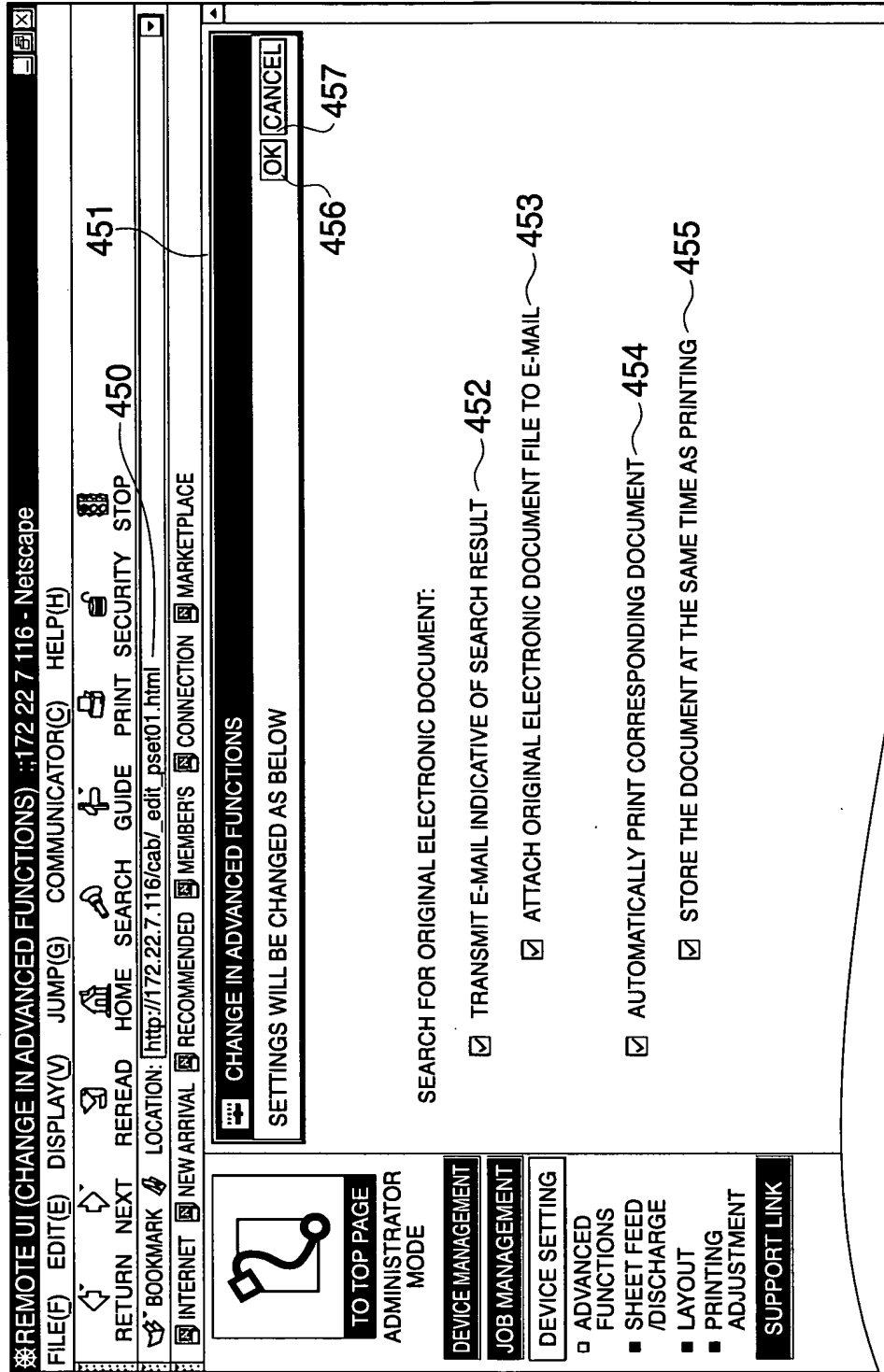


FIG. 6



8/15

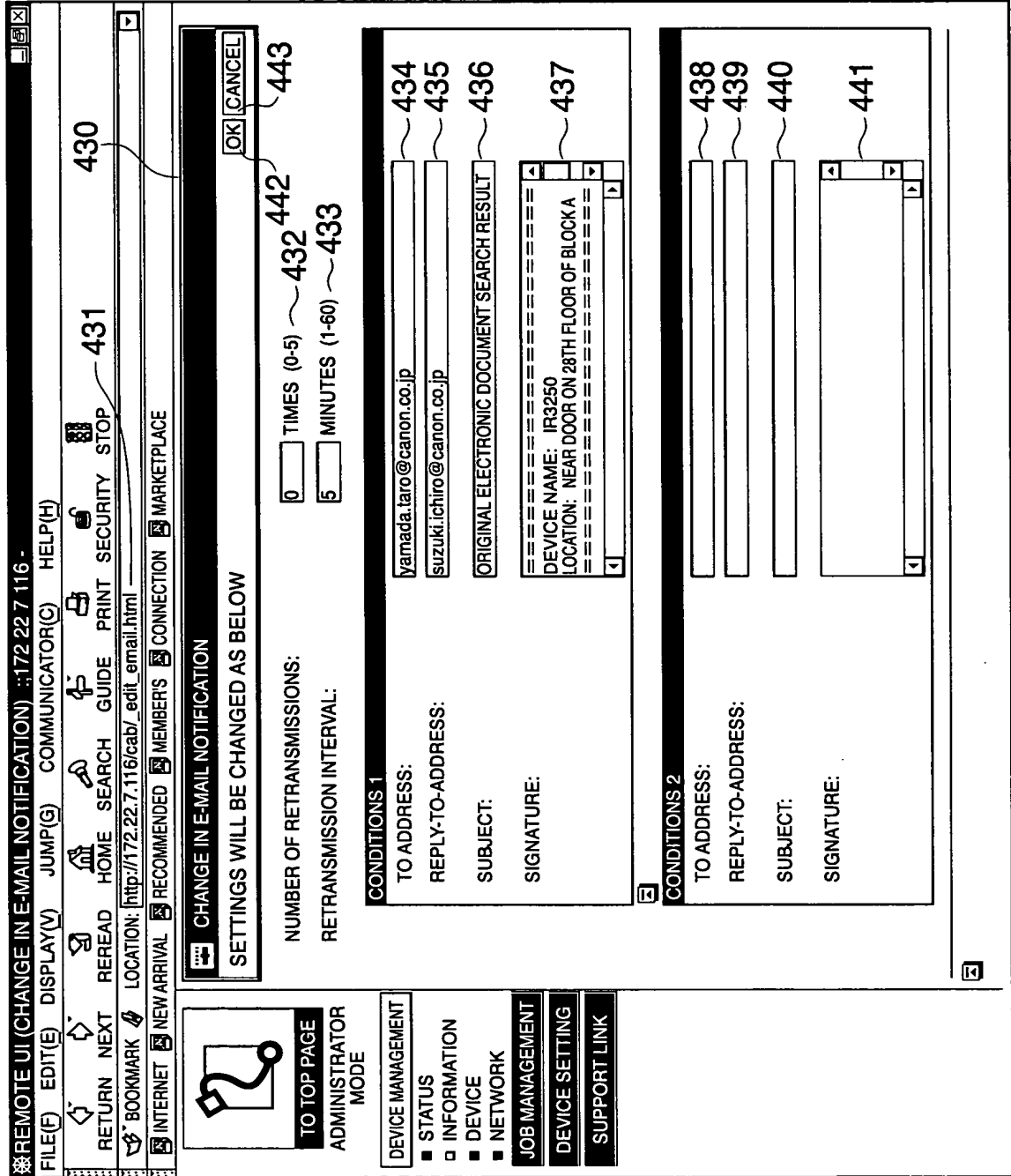
FIG. 7





9/15

FIG. 8



10/15

**FIG. 9**

SENDER : IR3250-28F@canon.co.jp ~ 461  
DESTINATION : yamada.taro@canon.co.jp ~ 462  
SUBJECT : ORIGINAL ELECTRONIC DOCUMENT DATA SEARCH RESULT ~ 463  
DATE : 2001/12/15 17:31:26 ~ 464

===

THIS E-MAIL IS TO NOTIFY YOU OF ORIGINAL ELECTRONIC DOCUMENT  
SEARCH RESULT

DOCUMENT YOU HAVE SCANNED CORRESPONDS TO  
¥server1¥projects¥projectsX¥planning meeting document¥document1.doc ~ 465  
WITHIN DOCUMENT MANAGEMENT SERVER

===== ~ 466

DEVICE NAME: IR3250  
LOCATION: NEAR DOOR ON 28TH FLOOR OF BLOCK A  
=====

DOCUMENT 1.doc ~ 467

11/15

**FIG. 10**

SENDER : IR3250-28F@canon.co.jp ~471  
DESTINATION : yamada.taro@canon.co.jp ~472  
SUBJECT : ORIGINAL ELECTRONIC DOCUMENT DATA SEARCH RESULT ~473  
DATE : 2001/12/15 17:31:26 ~474

===

THIS E-MAIL IS TO NOTIFY YOU OF ORIGINAL ELECTRONIC DOCUMENT  
SEARCH RESULT

DOCUMENT YOU HAVE SCANNED CORRESPONDS TO MULTIPLE  
DOCUMENTS WITHIN DOCUMENT MANAGEMENT SERVER.  
CORRESPONDING DOCUMENTS ARE LISTED SO THAT DOCUMENT  
DETERMINED CLOSEST IS AT THE TOP

##server1\projects\projectsX\planning meeting document\document1.doc ~475  
##server1\projects\projectsY\planning meeting document\document2.doc ~476  
##server1\use\yamada\work\documenttmp.doc ~477

=====  
DEVICE NAME: IR3250 ~478

=====  
LOCATION: NEAR DOOR ON 28TH FLOOR OF BLOCK A  
=====

12/15

**FIG. 11**

SENDER : IR3250-28F@canon.co.jp ~ 481  
DESTINATION : yamada.taro@canon.co.jp ~ 482  
SUBJECT : ORIGINAL ELECTRONIC DOCUMENT DATA SEARCH RESULT ~ 483  
DATE : 2001/12/15 17:31:26 ~ 484

====

THIS E-MAIL IS TO NOTIFY YOU OF ORIGINAL ELECTRONIC DOCUMENT  
SEARCH RESULT

DOCUMENT YOU HAVE SCANNED IS NOT FOUND ~ 485  
WITHIN DOCUMENT MANAGEMENT SERVER.

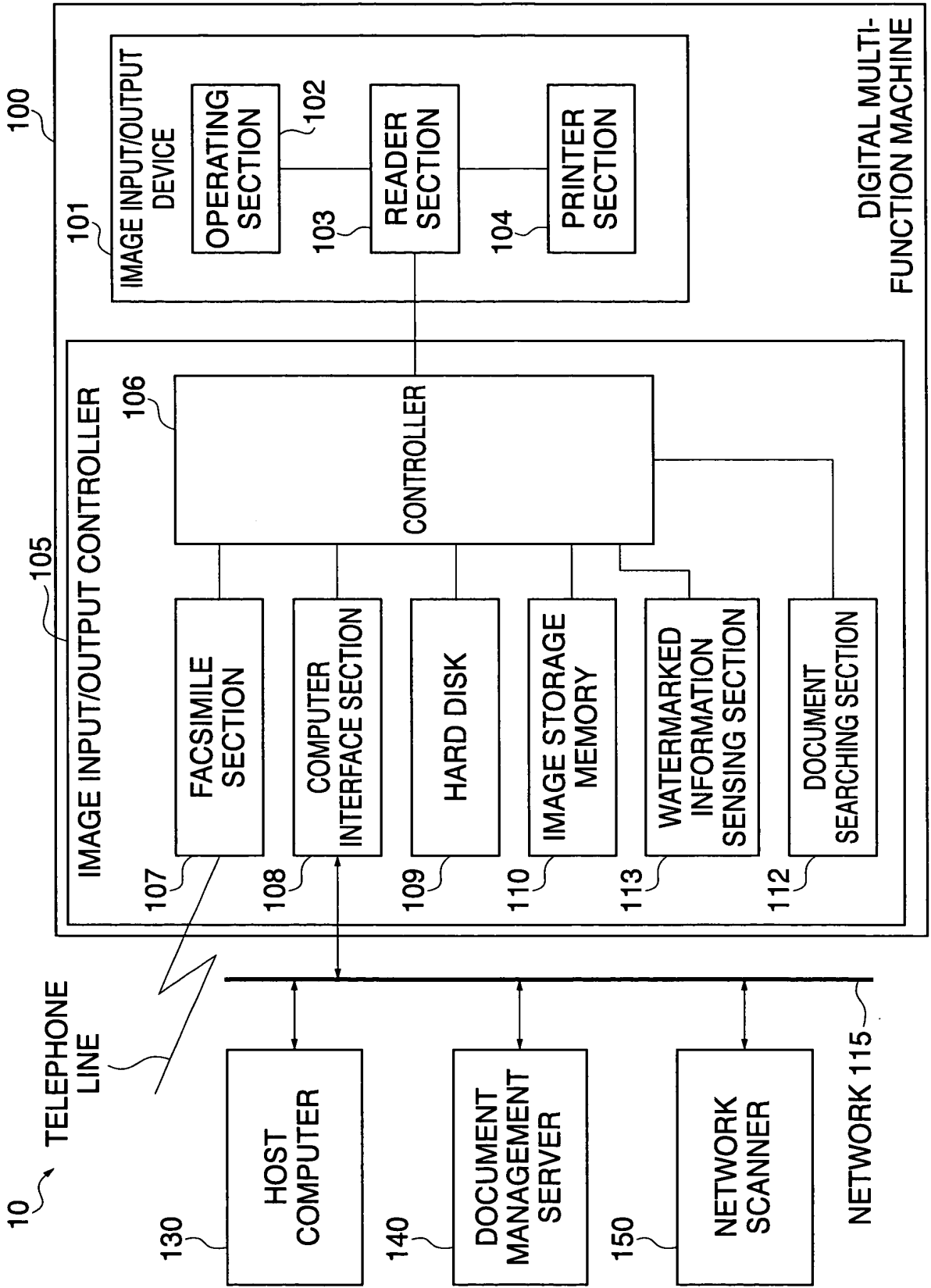
==== ~ 486

DEVICE NAME: IR3250

LOCATION: NEAR DOOR ON 28TH FLOOR OF BLOCK A

=====

FIG. 12



DIGITAL MULTI-FUNCTION MACHINE

FIG. 13A

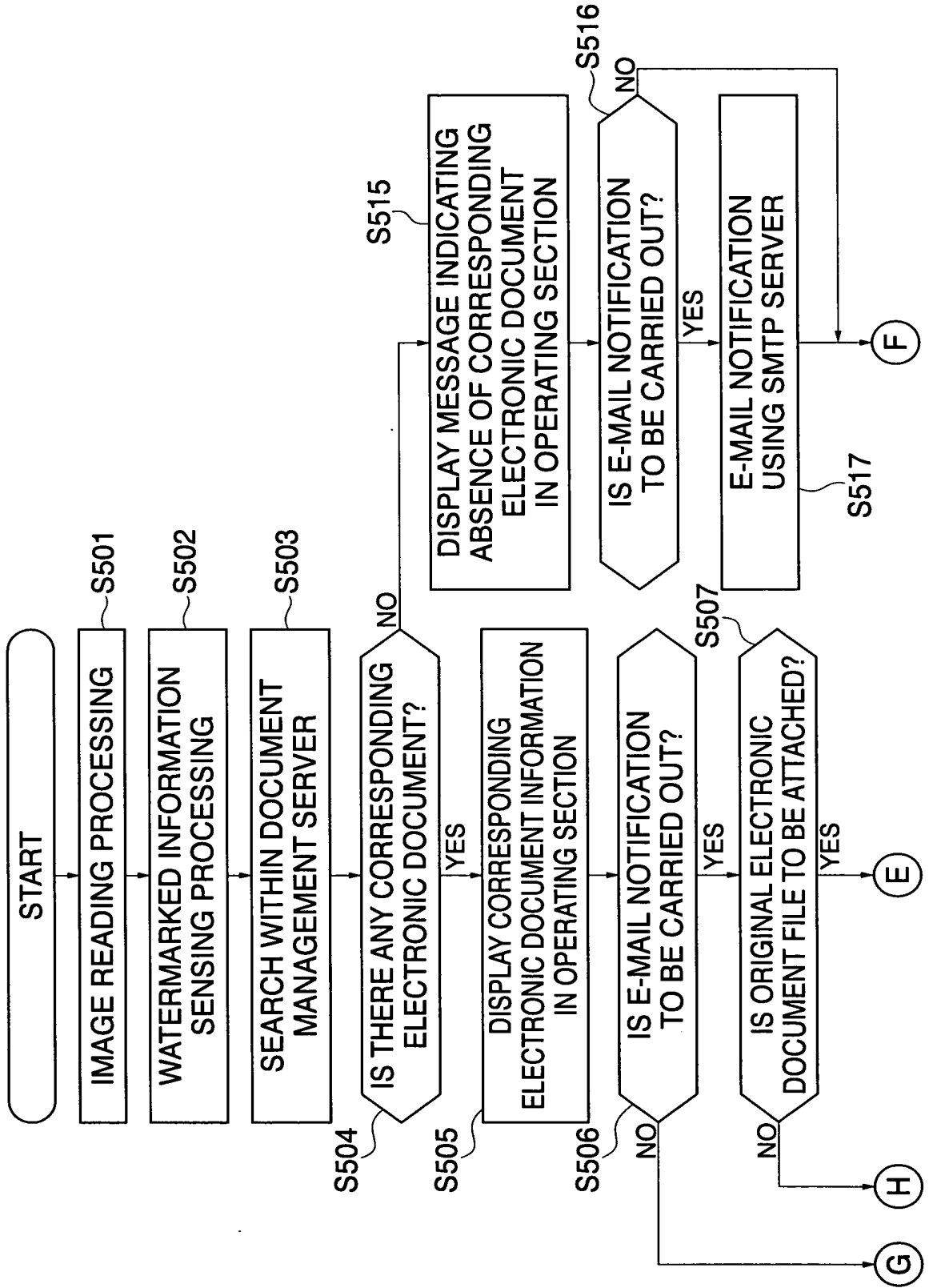


FIG. 13B

